



Quality Door Hinge tested by:-



PSB Singapore
50,000 Cycles
Endurance Test

Grade A Tempered Glass Certified by:-



ANSI Z97.1-2004



Cert No:
BMP555249



Cert No:
BMP552817

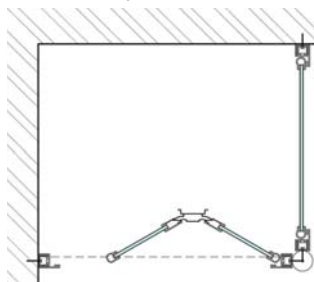
Product Specification

- Surface Finishes : Powder Coating
- Material : Aluminum Extrusion
- Function : Two Panel Folding
- Shape : 90° Degree /
L Shape Corner Entry
- Infil Panel : 4mm Clear Tempered
Glass / 4mm Polystyrene
4mm Eco Panel Print

RS109

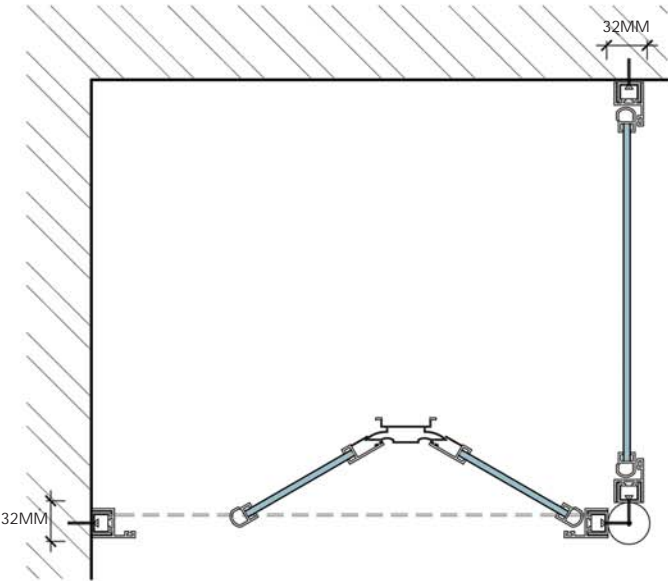
90° Degree / L Shape Corner Entry

| Door Space Allocation |

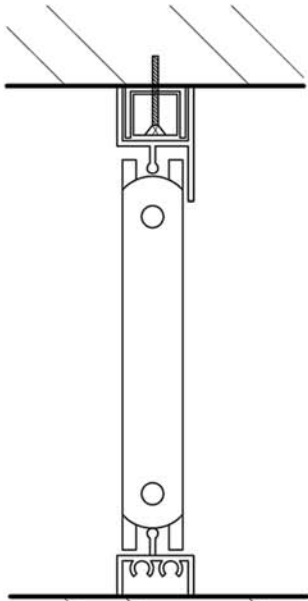


INSTALLATION MANUAL

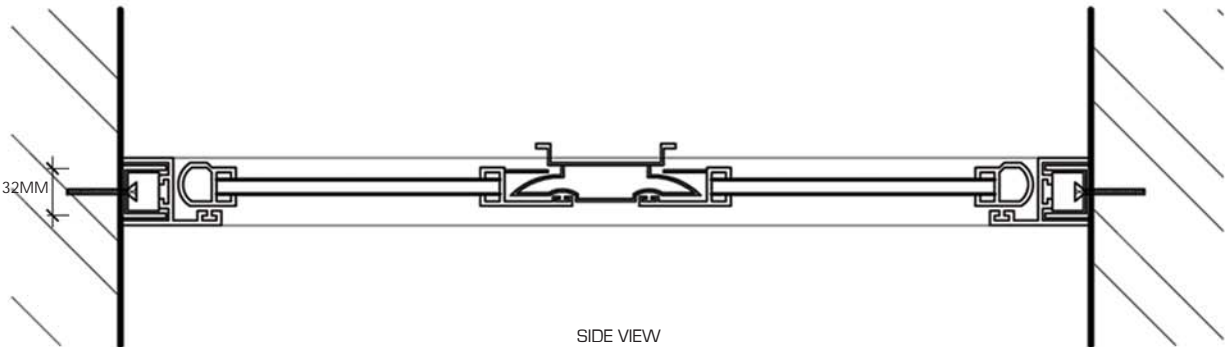
3D Visual



TOP VIEW



SIDE SECTIONAL VIEW



SIDE VIEW

RS109 Series