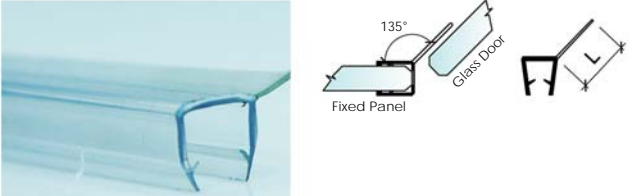
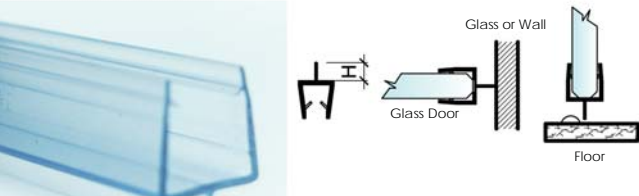
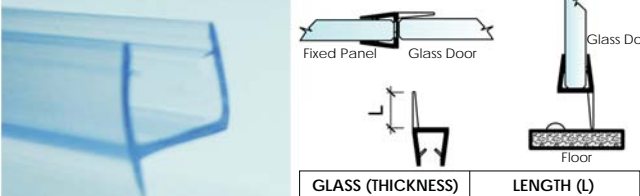


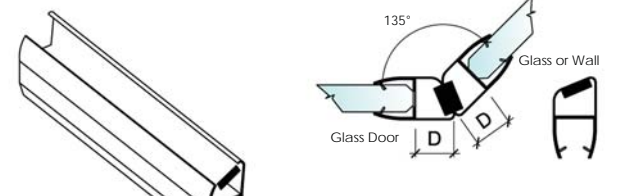

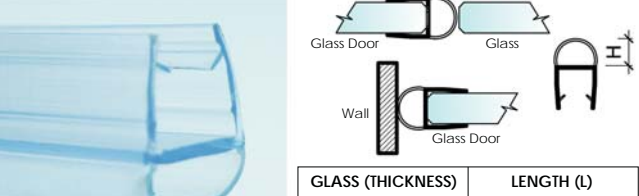

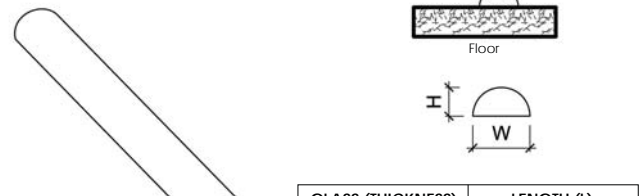


Rubber Seal

Shower Screen Series

<p style="text-align: center;">DP113</p>  <table border="1" style="width: 100%; margin-top: 10px;"> <thead> <tr> <th>GLASS (THICKNESS)</th> <th>LENGTH (L)</th> </tr> </thead> <tbody> <tr> <td>10MM</td> <td>15MM</td> </tr> </tbody> </table>	GLASS (THICKNESS)	LENGTH (L)	10MM	15MM	<p style="text-align: center;">DP104</p>  <table border="1" style="width: 100%; margin-top: 10px;"> <thead> <tr> <th>GLASS (THICKNESS)</th> <th>LENGTH (L)</th> </tr> </thead> <tbody> <tr> <td>10MM</td> <td>10MM</td> </tr> </tbody> </table>	GLASS (THICKNESS)	LENGTH (L)	10MM	10MM								
GLASS (THICKNESS)	LENGTH (L)																
10MM	15MM																
GLASS (THICKNESS)	LENGTH (L)																
10MM	10MM																
<p style="text-align: center;">DP106</p>  <table border="1" style="width: 100%; margin-top: 10px;"> <thead> <tr> <th>GLASS (THICKNESS)</th> <th>LENGTH (L)</th> </tr> </thead> <tbody> <tr> <td>8MM</td> <td>11.5MM</td> </tr> <tr> <td>10MM</td> <td>11.5MM</td> </tr> <tr> <td>12MM</td> <td>11.5MM</td> </tr> </tbody> </table>	GLASS (THICKNESS)	LENGTH (L)	8MM	11.5MM	10MM	11.5MM	12MM	11.5MM	<p style="text-align: center;">IT22</p>  <table border="1" style="width: 100%; margin-top: 10px;"> <thead> <tr> <th>GLASS (THICKNESS)</th> <th>LENGTH (L)</th> </tr> </thead> <tbody> <tr> <td>8MM</td> <td>9MM</td> </tr> <tr> <td>10MM</td> <td>9MM</td> </tr> <tr> <td>12MM</td> <td>9MM</td> </tr> </tbody> </table>	GLASS (THICKNESS)	LENGTH (L)	8MM	9MM	10MM	9MM	12MM	9MM
GLASS (THICKNESS)	LENGTH (L)																
8MM	11.5MM																
10MM	11.5MM																
12MM	11.5MM																
GLASS (THICKNESS)	LENGTH (L)																
8MM	9MM																
10MM	9MM																
12MM	9MM																
<p style="text-align: center;">DP109</p>  <table border="1" style="width: 100%; margin-top: 10px;"> <thead> <tr> <th>GLASS (THICKNESS)</th> <th>LENGTH (L)</th> </tr> </thead> <tbody> <tr> <td>10MM</td> <td>20MM</td> </tr> </tbody> </table>	GLASS (THICKNESS)	LENGTH (L)	10MM	20MM	<p style="text-align: center;">DP108</p>  <table border="1" style="width: 100%; margin-top: 10px;"> <thead> <tr> <th>GLASS (THICKNESS)</th> <th>LENGTH (L)</th> </tr> </thead> <tbody> <tr> <td>10MM</td> <td>11MM</td> </tr> </tbody> </table>	GLASS (THICKNESS)	LENGTH (L)	10MM	11MM								
GLASS (THICKNESS)	LENGTH (L)																
10MM	20MM																
GLASS (THICKNESS)	LENGTH (L)																
10MM	11MM																
<p style="text-align: center;">DP109A</p>  <table border="1" style="width: 100%; margin-top: 10px;"> <thead> <tr> <th>GLASS (THICKNESS)</th> <th>LENGTH (L)</th> </tr> </thead> <tbody> <tr> <td>8MM</td> <td>12MM</td> </tr> </tbody> </table>	GLASS (THICKNESS)	LENGTH (L)	8MM	12MM	<p style="text-align: center;">DP111</p>  <table border="1" style="width: 100%; margin-top: 10px;"> <thead> <tr> <th>GLASS (THICKNESS)</th> <th>LENGTH (L)</th> </tr> </thead> <tbody> <tr> <td>8MM</td> <td>8MM</td> </tr> <tr> <td>10MM</td> <td>8MM</td> </tr> <tr> <td>12MM</td> <td>8MM</td> </tr> </tbody> </table>	GLASS (THICKNESS)	LENGTH (L)	8MM	8MM	10MM	8MM	12MM	8MM				
GLASS (THICKNESS)	LENGTH (L)																
8MM	12MM																
GLASS (THICKNESS)	LENGTH (L)																
8MM	8MM																
10MM	8MM																
12MM	8MM																
<p style="text-align: center;">DP112</p>  <table border="1" style="width: 100%; margin-top: 10px;"> <thead> <tr> <th>GLASS (THICKNESS)</th> <th>LENGTH (L)</th> </tr> </thead> <tbody> <tr> <td>8MM</td> <td>10MM</td> </tr> <tr> <td>10MM</td> <td>8MM</td> </tr> <tr> <td>12MM</td> <td>15MM</td> </tr> </tbody> </table>	GLASS (THICKNESS)	LENGTH (L)	8MM	10MM	10MM	8MM	12MM	15MM	<p style="text-align: center;">PS46</p>  <table border="1" style="width: 100%; margin-top: 10px;"> <thead> <tr> <th>GLASS (THICKNESS)</th> <th>LENGTH (L)</th> </tr> </thead> <tbody> <tr> <td>10MM</td> <td>8MM</td> </tr> <tr> <td>20MM</td> <td>8MM</td> </tr> </tbody> </table>	GLASS (THICKNESS)	LENGTH (L)	10MM	8MM	20MM	8MM		
GLASS (THICKNESS)	LENGTH (L)																
8MM	10MM																
10MM	8MM																
12MM	15MM																
GLASS (THICKNESS)	LENGTH (L)																
10MM	8MM																
20MM	8MM																