

TG800

TG500

Suspended Frameless
Sliding Glass Door

RELIANCE HOME

TG800

Suspended Frameless Sliding Door



TG800



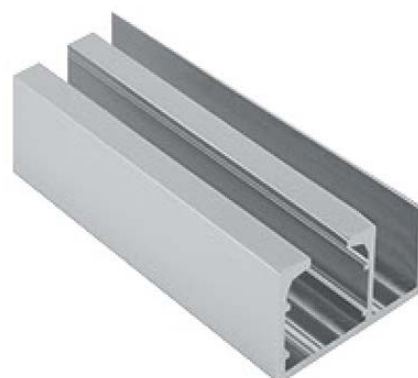
Accessories List:-



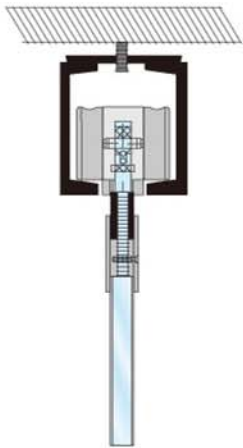
DFA-9
Floor Guide



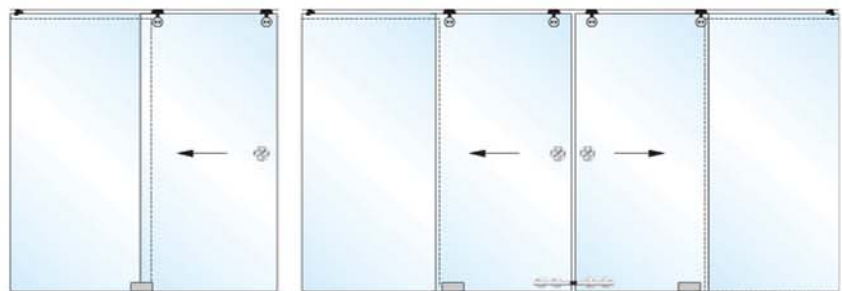
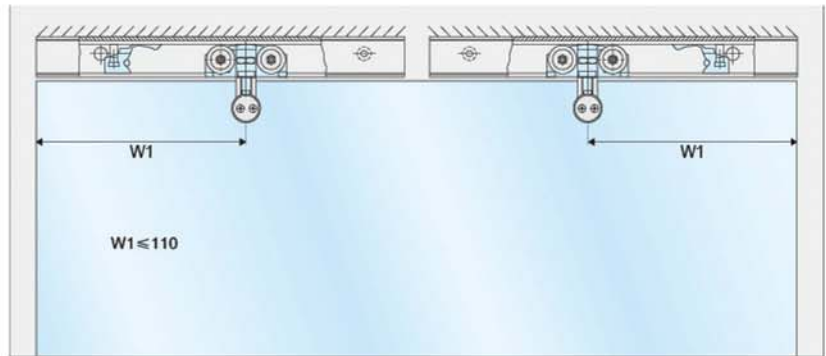
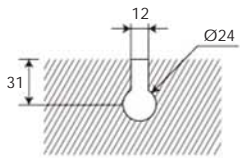
DP112-15
12MM Rubber Seal



Sliding Track
Aluminium



Hole Dimension of Glass



Track System



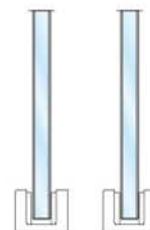
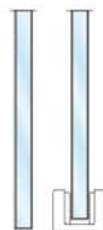
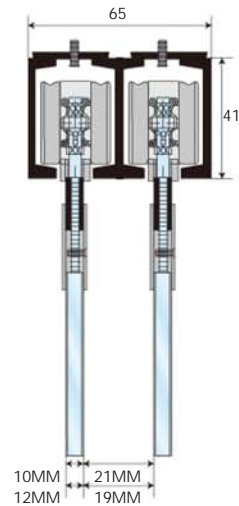
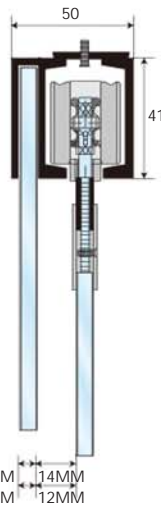
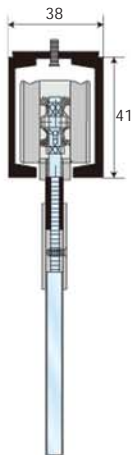
1 Single Door
SL-010



Single Door + 1 Fix Panel
SL-011



2 Sliding Door Panels
SL-012





Grade A Tempered Glass Certified by:-



ANSI Z97.1-2004



Cert No:
BMP555249



Cert No:
BMP552817

Product Specification

Material : SUS304 Stainless Steel
Finish : Hairline Satin Polish

TG800
Industrial Nylon Made
Roller System





SL-W30



SL-003

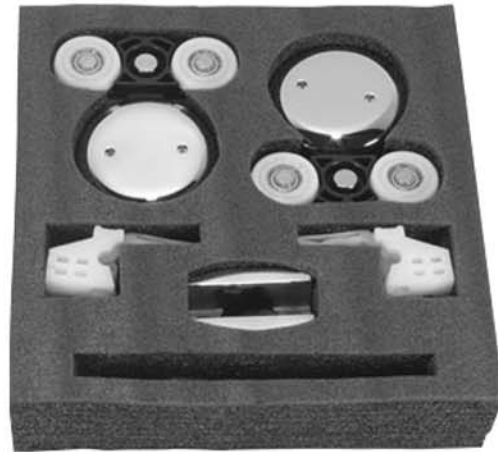


SF-04S



OF-A-9

SL-W30 Series



Foam Packing

Features

- Max. Door Leaf Width : 1000MM
- Max. Door Leaf Load : 80kg
- Glass Thickness : 8-12MM

