



KK SERIES

Full Stainless Steel Equiped
Sliding Shower Screen Series





Grade A Tempered Glass Certified by:-



ANSI Z97.1-2004



Cert No:
BMP555249



Cert No:
BMP552817

Product Specification

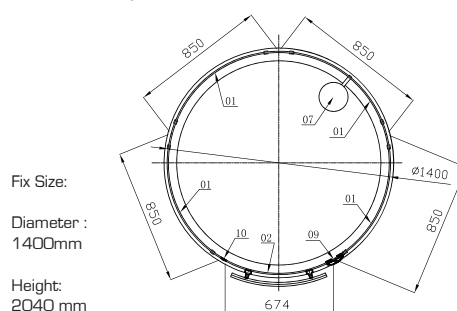
- Surface Finishes : Glossy Polish/Matt
- Material : SUS304 Stainless Steel
- Function : Pivot Door
(outward)
- Glass : 8mm
Thickness Tempered
- Size : 1200MM x 2000MM (H)
1400MM x 2000MM (H)

KW-P51

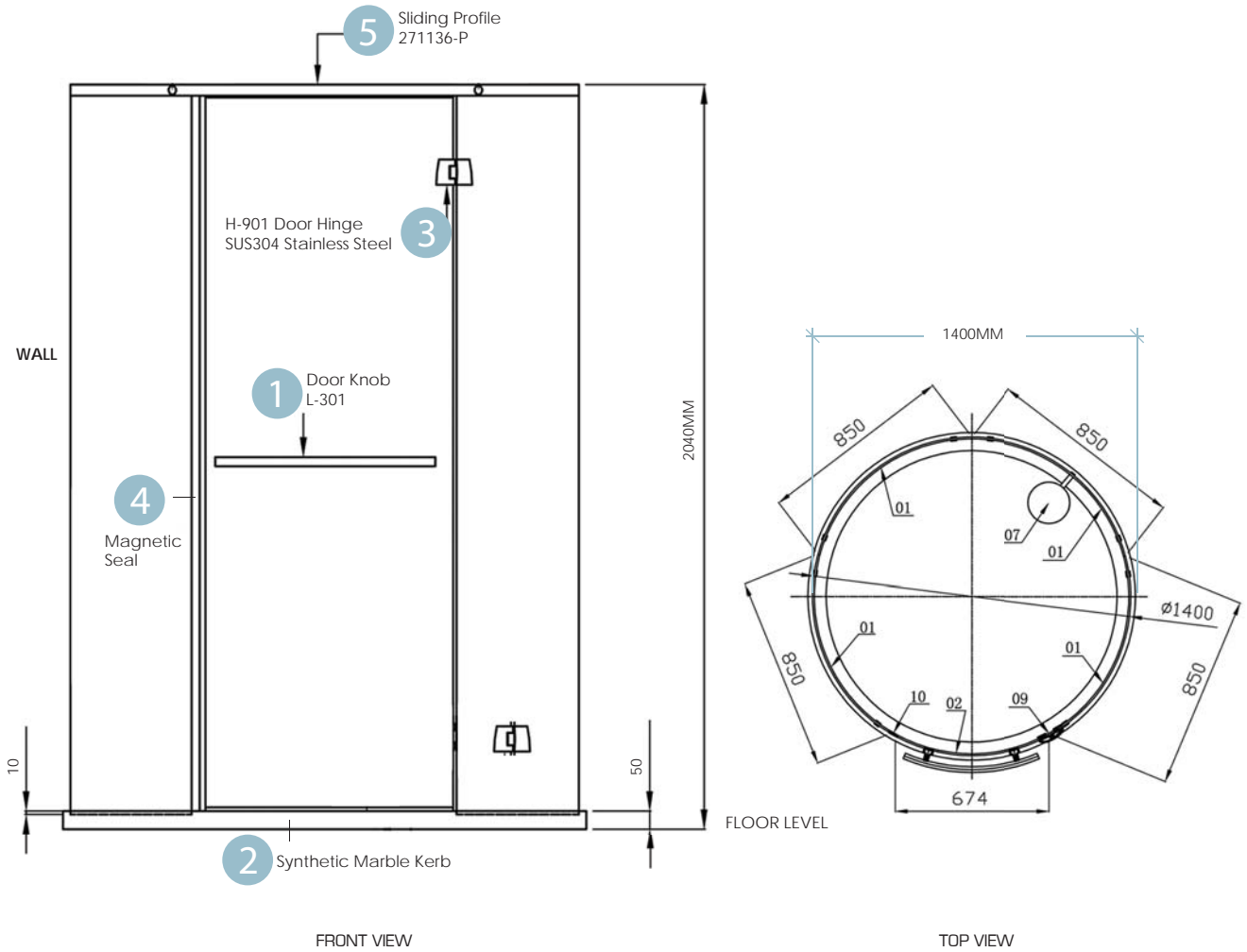
Wall to Glass
Sliding Door Shower



| Door Space Allocation |



INSTALLATION MANUAL



Accessories List:-

- 

1 L-301 Handle
SUS304 Stainless Steel
- 

2 Synthetic Marble Kerb
Size: 1400 D X 80 X 60mm
- 

3 H-901 Door Hinge
SUS304 Stainless Steel
- 

4 DP109 Magnetic Seal
- 

5 Header Support System
SUS304 Stainless Steel

KW-P51 Series

