

KK-T41

Half Curve Sliding Shower

KK-T41 Series





Grade A Tempered Glass Certified by:-



ANSI Z97.1-2004



Cert No:
BMP555249



Cert No:
BMP552817

Product Specification

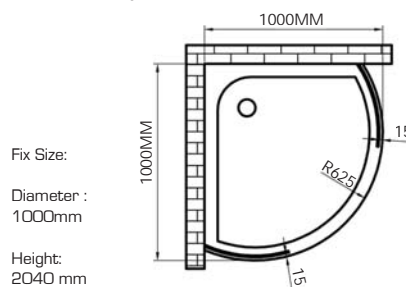
- Surface Finishes : Glossy Polish/Matt
- Material : SUS304 Stainless Steel
- Function : Pivot Door
(outward)
- Glass : 8mm
Thickness Tempered
- Size : 985 x 985 x 2000MM (H)

KK-T41

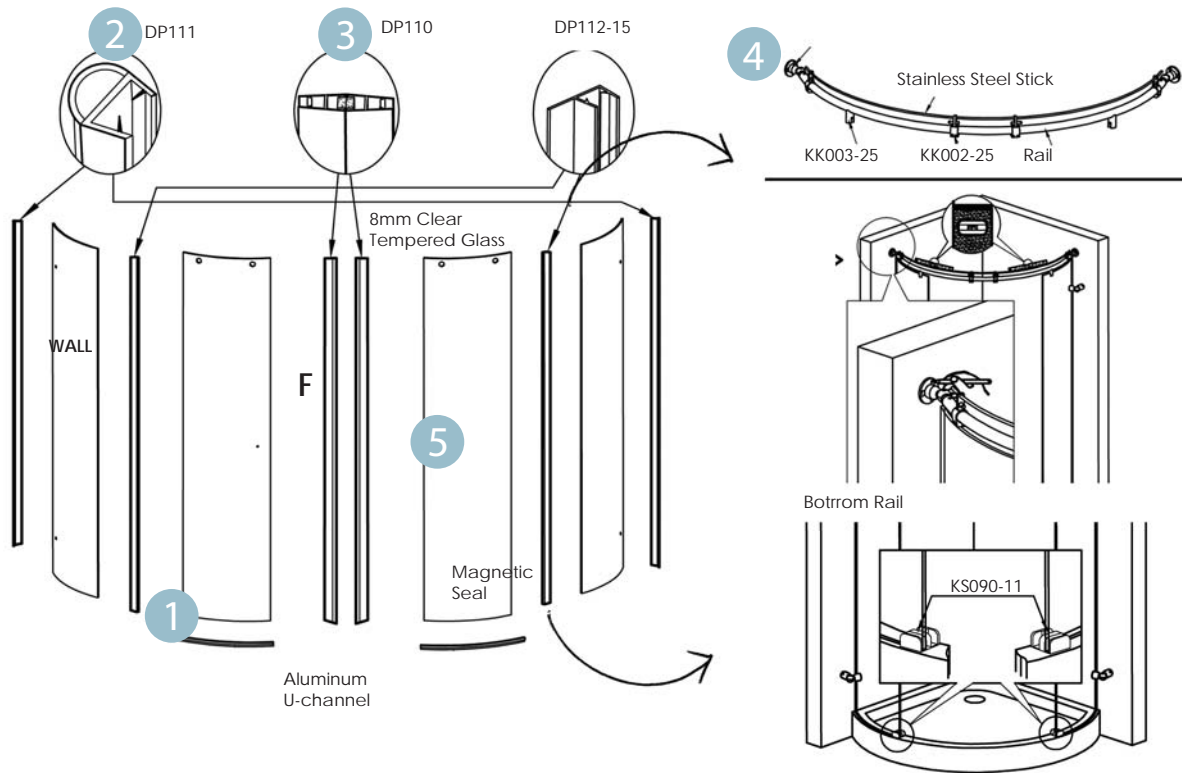
Wall to Glass
Sliding Door Shower



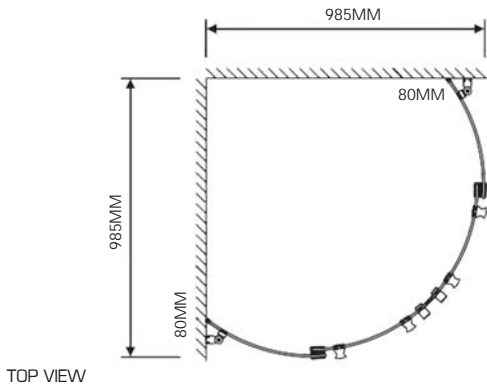
| Door Space Allocation |



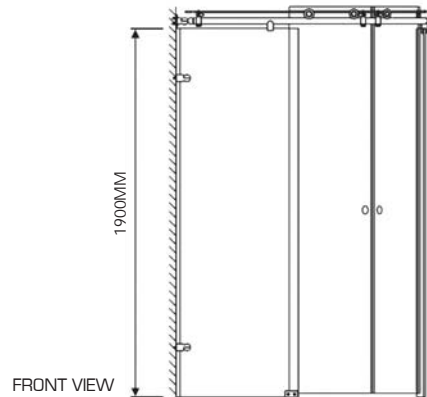
INSTALLATION MANUAL



SECTION DRAWING



TOP VIEW



FRONT VIEW

Accessories List:-

- 

1 Synthetic Marble Kerb
Size:11215 x1215x 99 x70mm
- 

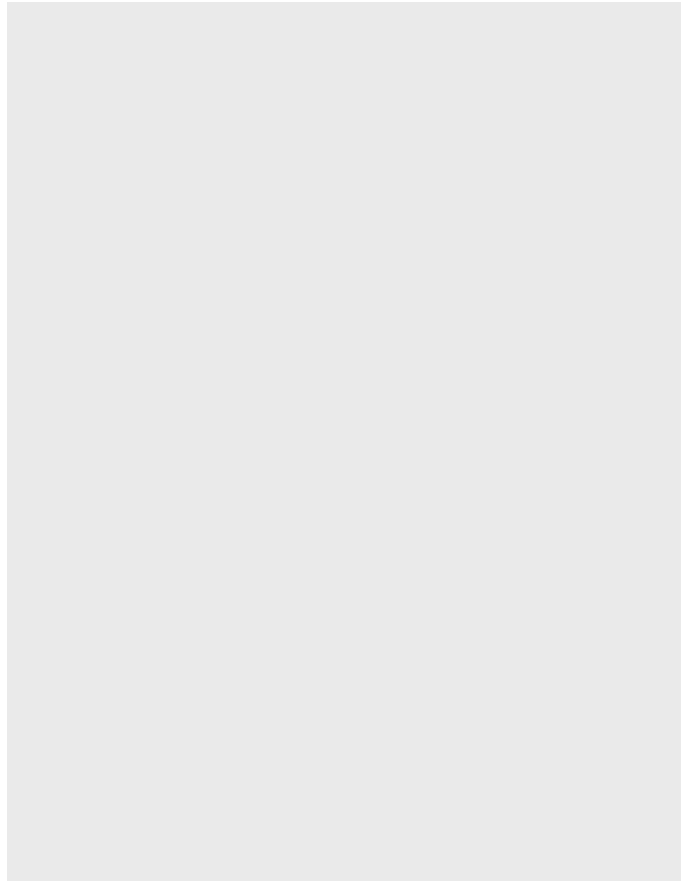
2 DP-111 Magnetic Seal
- 

3 DP-110 Magnetic Seal
- 

4 Header Support System
SUS304 Stainless Steel
- 

5 KK004
SUS304 Stainless Steel

KK-T41 Series



CUSTOMER
PHOTO GALLERY