

# REH100-SQALU

180° Pivot Door

REH100SQALU Series





Quality Door Hinge tested by:-



PSB Singapore  
50,000 Cycles  
Endurance Test

Grade A Tempered Glass Certified by:-



ANSI Z97.1-2004



Cert No:  
BMP555249



Cert No:  
BMP552817

## Product Specification

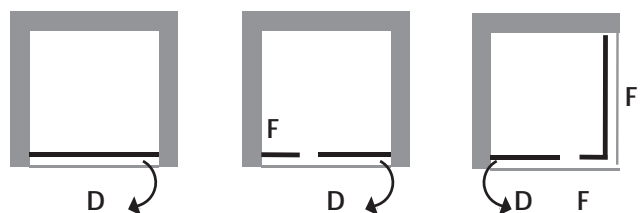
- Surface Finishes : Glossy Polish/Matt
- Material : Brass Chrome
- Test : PSB Test Singapore  
Certified (50,000 Cycles)
- Function : Pivot Door  
(Inward/outward/bothway)
- Glass : 6mm to 10mm  
Thickness Tempered

## REH300SQALU

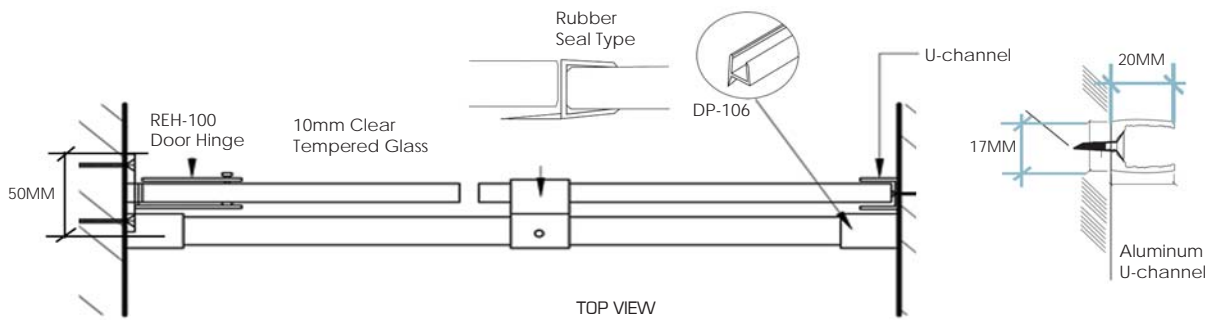
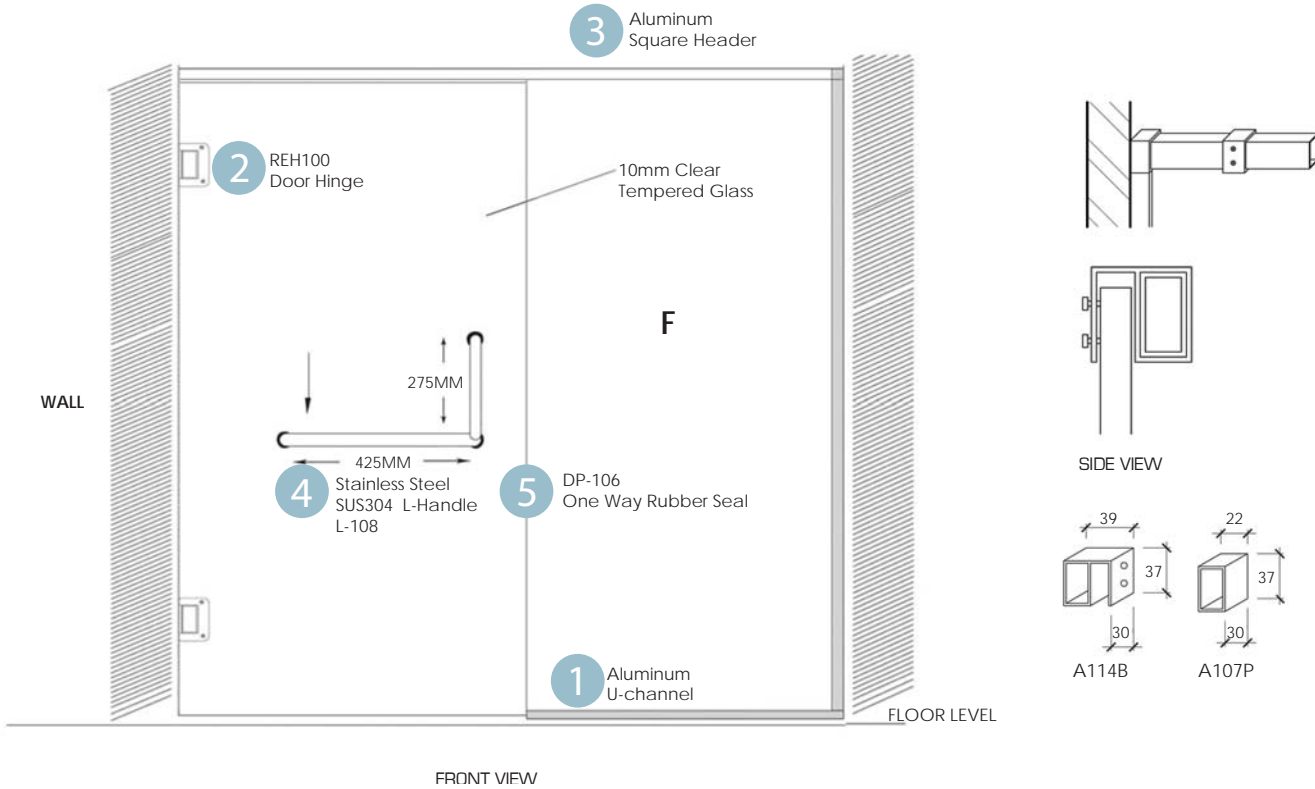
Wall to Glass Swing  
Door Shower



### | Door Space Allocation |



# INSTALLATION MANUAL



## Accessories List:-



