

# RS5018PL

90° Sliding Door

RS5018PL Series





Quality Door Hinge tested by:-



PSB Singapore  
50,000 Cycles  
Endurance Test

Grade A Tempered Glass Certified by:-



ANSI Z97.1-2004



Cert No:  
BMP555249



Cert No:  
BMP552817

## Product Specification

- Surface Finishes : Glossy Polish/Matt
- Material : Brass Chrome
- Test : PSB Test Singapore  
Certified (50,000 Cycles)
- Function : Sliding Door  
(Inward/outward/bothway)
- Glass : 8mm  
Thickness Tempered

## RS5018PL L Shape Sliding Door Shower

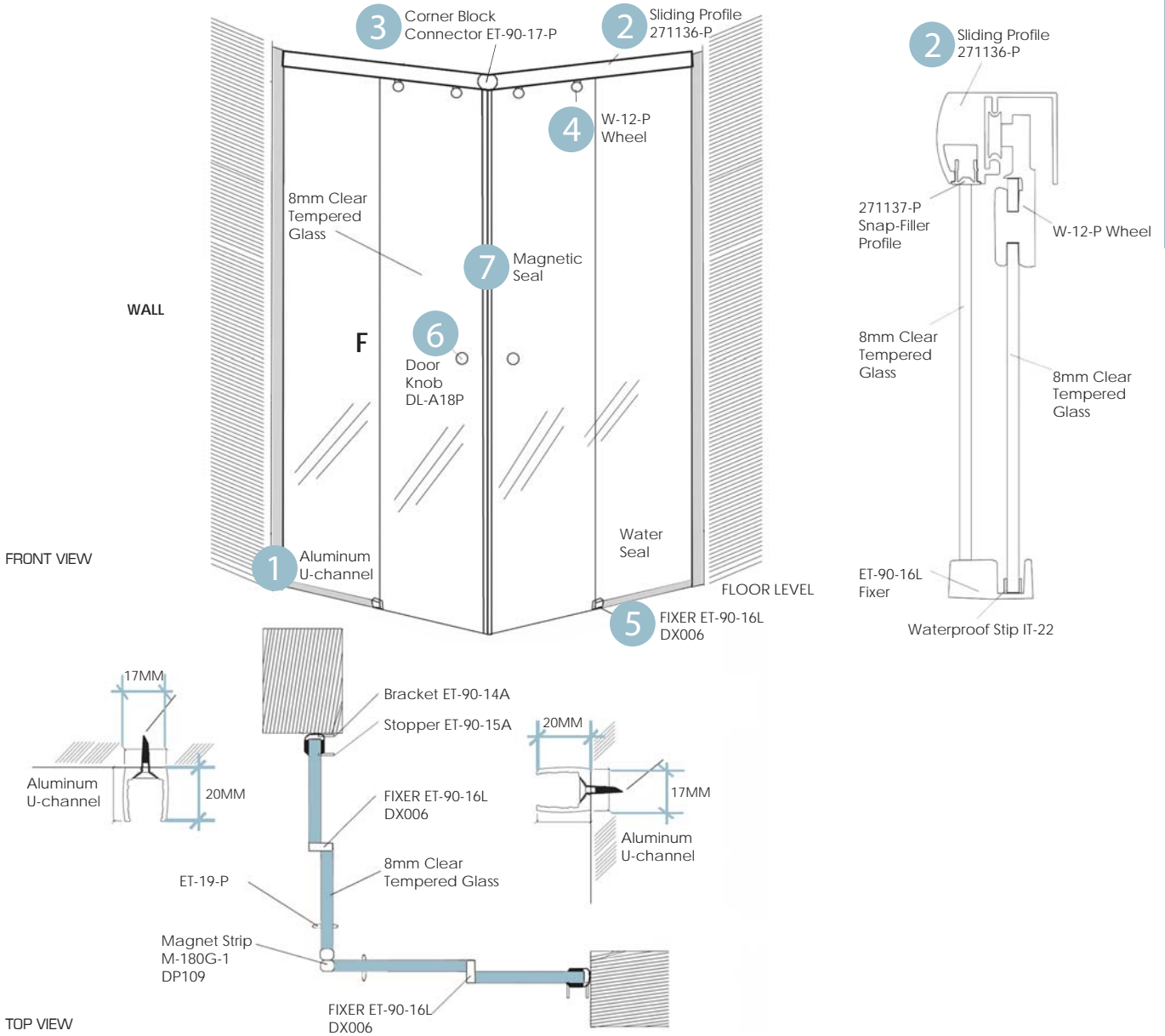


### | Door Space Allocation |








# INSTALLATION MANUAL

RS5018PL Series



## Accessories List:-

-   
**1** Aluminum U-Channel  
Glossy Polished
-   
**2** Sliding Track 271136-P  
Aluminum Polished
-   
**3** ET-90-17P  
Corner Connector
-   
**4** W-12-P  
Brass Chromed  
Industrial Nylon Roller
-   
**5** DX006  
ABS Plastic
-   
**6** DLA19P  
SUS304 Stainless Steel  
Size: 275mm x 425mm
-   
**7** DP109  
Magnetic Seal

# CUSTOMER PHOTO GALLERY

